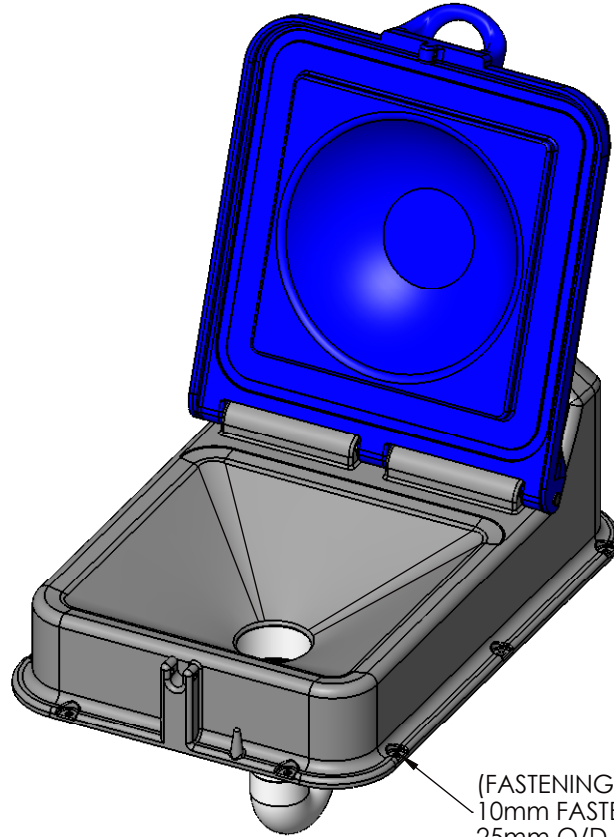
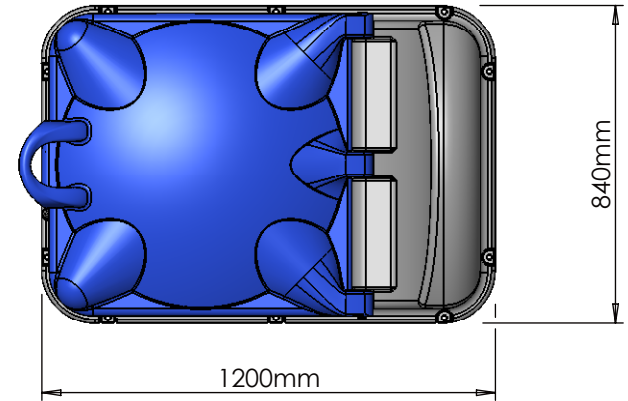


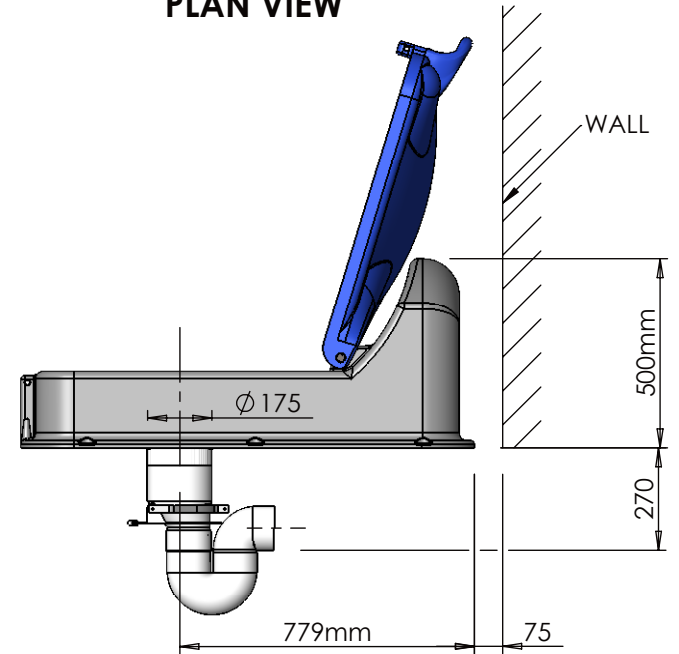
DO NOT SCALE



(FASTENING POINTS x 10)
10mm FASTENERS
25mm O/D WASHERS



PLAN VIEW



SIDE VIEW

F	05.07.11	DH	UPDATED TO INCLUDE SLOPED FLOOR PAN	
No.	DATE	BY	DESCRIPTION	GOUGH
			REVISION	APPROV.



Gough Industries Pty. Ltd.
833 Ingham Road
Bohle, Townsville
P.O. Box 1258, Aitkenvale, Qld. 4814.
Telephone 07 47747606
Facsimile 07 47747608
A.C.N. 010 028 547

This drawing remains the property of Gough Industries Pty. Ltd. It is subject to Gough Industries Pty. Ltd.'s recall and must not be reproduced in part or whole or it's contents divulged to third parties without prior written approval from Gough Industries Pty Limited.

Signature	Date
S.NAGY	8.07.03
DRAWN	
DRN. CHK	
ENGINEER	
ENG. CHK	
Eng. APPROVAL	
CONTROLLED DOCUMENT	NO

DUMP-EZY		Gough Plastics Drg. No. ENV905.0000-01	F
ASSEMBLED PRODUCT - PICTORIAL VIEW			
SCALE	1:20		
CAD FILE:		S:\Products\Environmental\Dump-Ezy\Drawings\Product\	