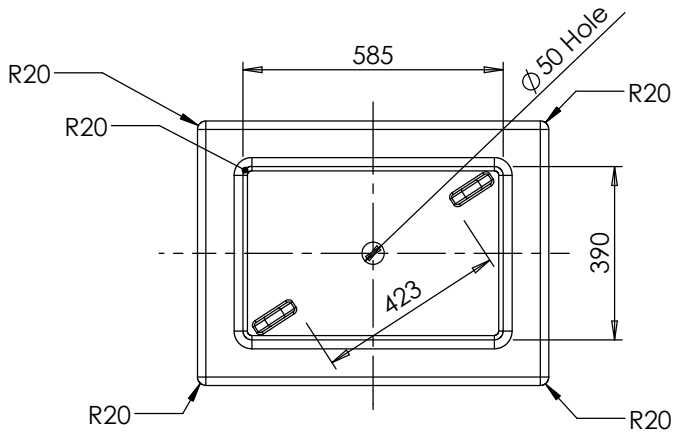
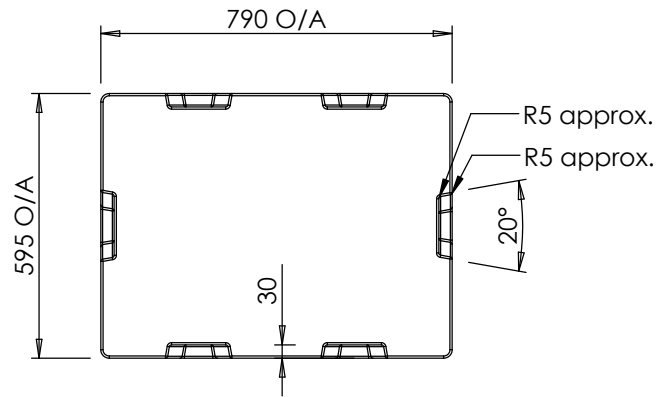


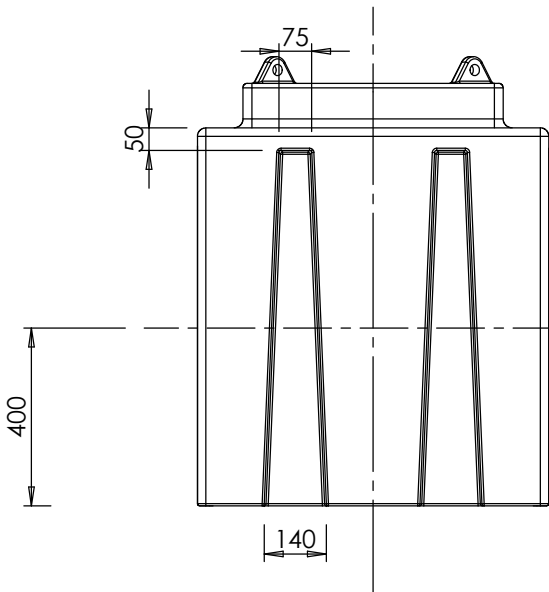
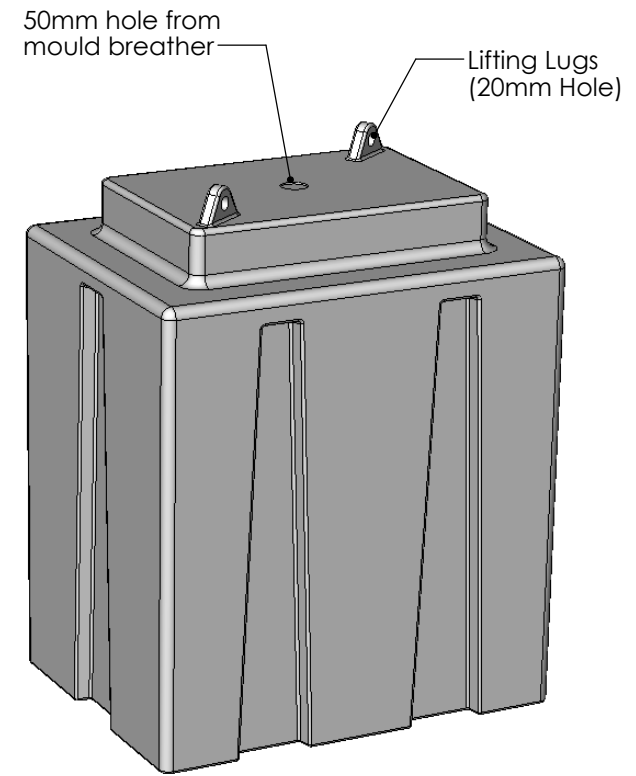
Please note: dimensions may vary by plus or minus 2% due to the rotational moulding process



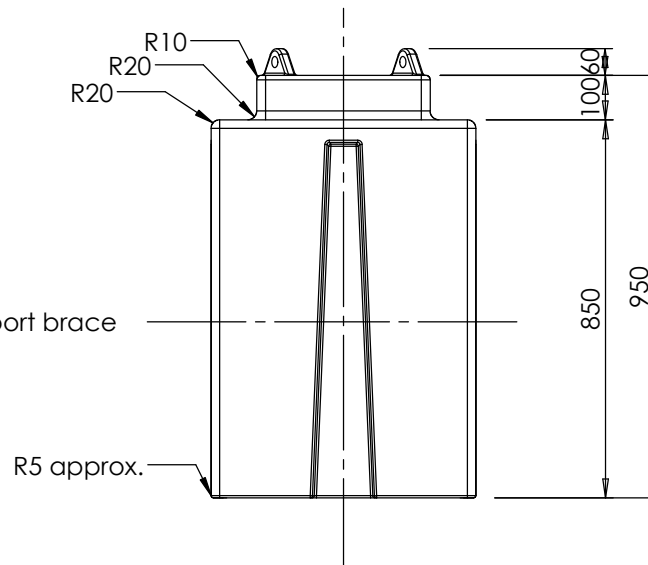
TOP VIEW



BOTTOM VIEW



FRONT VIEW



RIGHT VIEW

CONFIDENTIAL

This drawing remains the property of Gough Industries Pty. Ltd. It is subject to Gough Industries Pty. Ltd.'s recall and must not be reproduced in part or whole or its contents divulged to third parties without prior written approval from Gough Industries Pty Limited.

S:\Product Development\Proposed New Products\Thiess\



CAD FILE:

Gough Industries Pty. Ltd.
833 Ingham Road
Bohle, Townsville
Telephone 07 47747606
P.O. Box 7570, Garbutt BC, Qld. 4814.
Facsimile 07 47747608
A.C.N. 010 028 547

DRAWN	Signature	Date	Gough Plastics Drg. No.	A Revision
	D.HOLLIER	01.04.08		
ENGINEER			300L HD. TANK	
SCALE	A4			