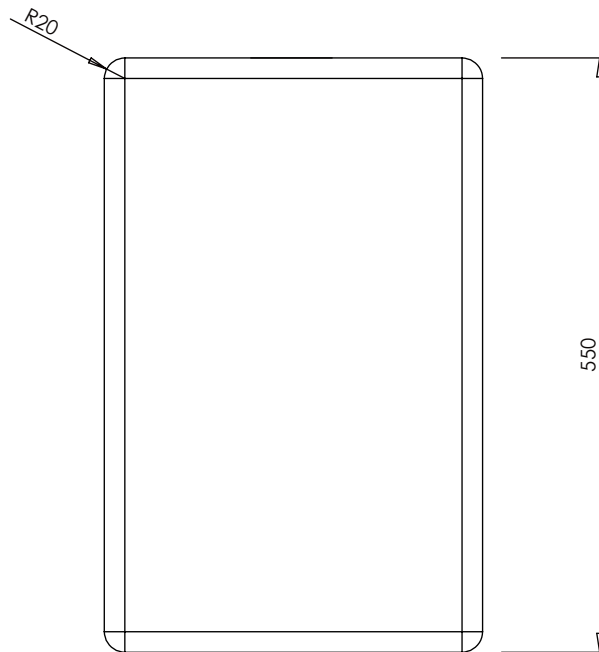
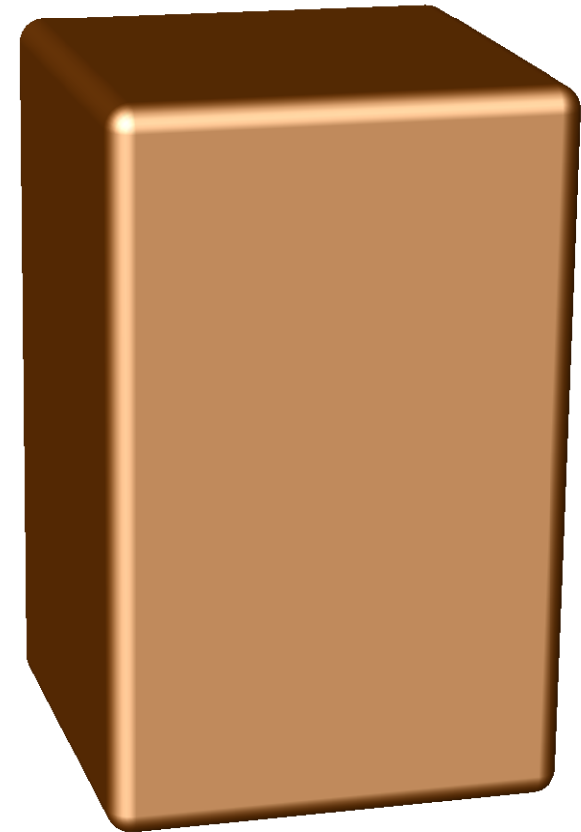


TOP VIEW



FRONT VIEW

Note: Dimensions may vary by plus or minus 2.5% due to the rotational moulding process.



**CONFIDENTIAL**

This drawing remains the property of Gough Industries Pty. Ltd. It is subject to Gough Industries Pty. Ltd.'s recall and must not be reproduced in part or whole or its contents divulged to third parties without prior written approval from Gough Industries Pty Limited.

S:\Product Development\Custom moulding\Ergon Energy\60L Ergon Tank\



CAD FILE :

Gough Industries Pty. Ltd.  
833 Ingham Road  
Bohle, Townsville  
Telephone 07 47747606  
P.O. Box 7570, Garbutt BC, Qld. 4814.  
Facsimile 07 47747608  
A.C.N. 010 028 547

DRAWN	Signature	Date	
	D.HOLLIER	15.11.07	
ENGINEER			
SCALE	A4	Gough Plastics Drg. No. <b>60 L Square Drum</b>	
			Revision