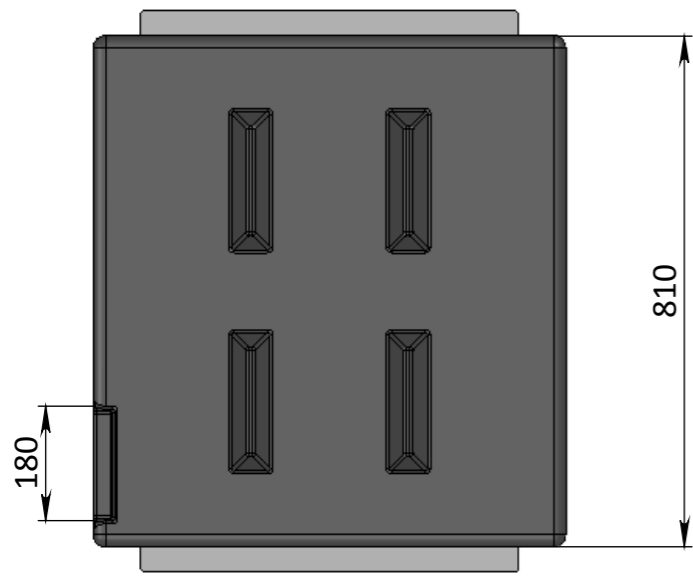


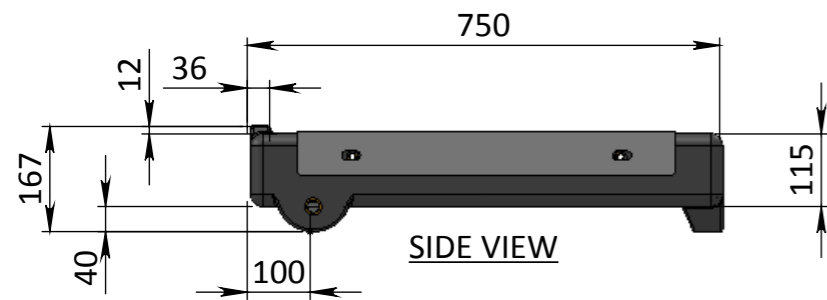
PLEASE NOTE: DIMENSIONS MAY VARY BY PLUS OR MINUS 3% DUE TO THE ROTATIONAL MOULDING PROCESS.



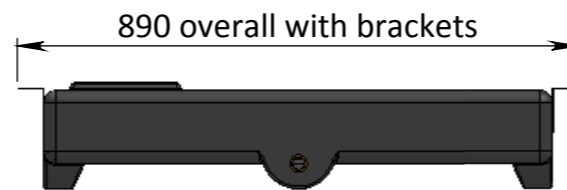
TOP VIEW

WATER TANKS ARE MADE FROM FOOD GRADE POLYETHYLENE

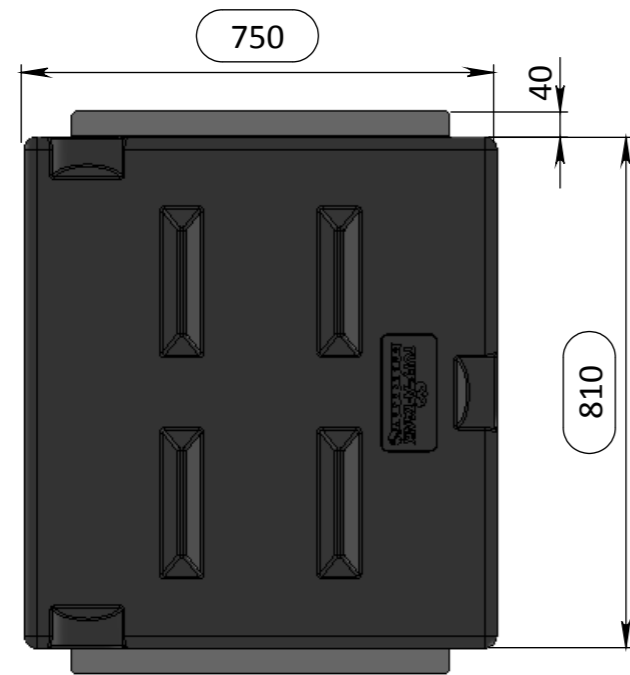
DIESEL TANKS ARE MADE FROM DIESEL GRADE POLYETHYLENE



SIDE VIEW



END VIEW



UNDERNEATH VIEW

1/2" BSP brass insert (OUTLET)

1.6mm GAL MOUNTING BRACKETS

1/2" BSP brass insert (OUTLET)

1" BSP brass insert (FILLER)

1/2" BSP brass insert (BREATHER)

2 x 10mm moulded-in brass inserts either side for mounting brackets

1/2" BSP brass insert (OUTLET)

REV	DATE	BY	DESCRIPTION	GOUGH	APPROV.
A	03.12.14	DH	UPDATED DESIGN AS OF DECEMBER 2014		
REVISION					



A.C.N. 010 028 547
Gough Industries Pty. Ltd.
833 Ingham Road
Bohle, Townsville
P.O. Box 7570, Garbutt BC, Qld. 4814.
Telephone 07 47747606
Facsimile 07 47747608

50L SLIMLINE WATER TANK

Signature	Date	SCALE	A3	Gough Plastics Drg. No.	A	REV
D.HOLLIER	04.04.16			BOX405.8050-01		
DRN. CHK	B.RITCHIE	04.04.16	S:\Products\Domestic\Underbodies\50L Slimline\			