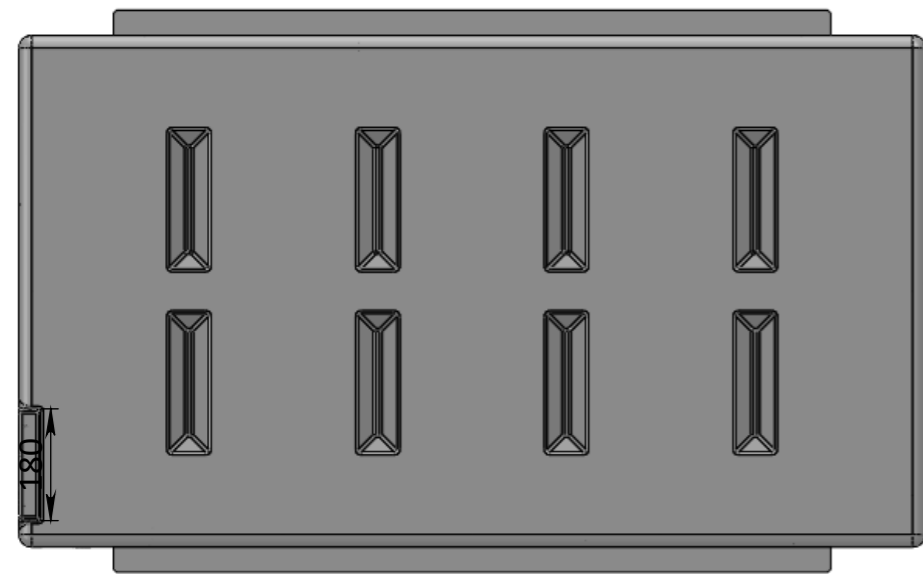


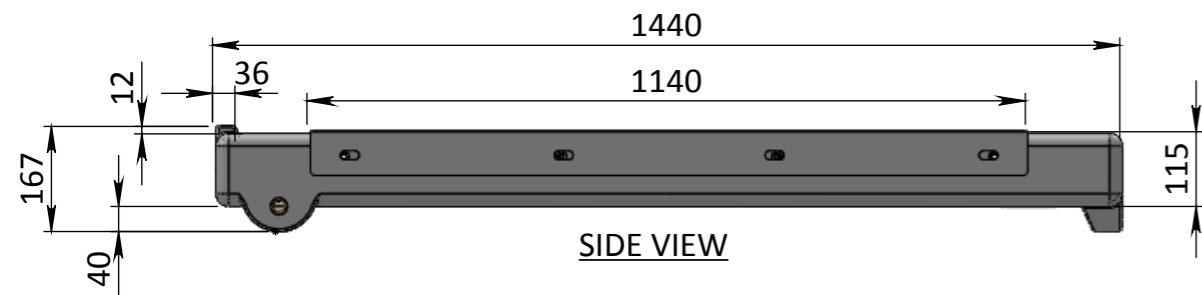
PLEASE NOTE: DIMENSIONS MAY VARY BY PLUS OR MINUS 3% DUE TO THE ROTATIONAL MOULDING PROCESS.



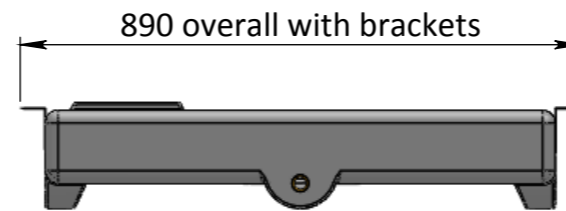
TOP VIEW

WATER TANKS ARE MADE FROM FOOD GRADE POLYETHYLENE

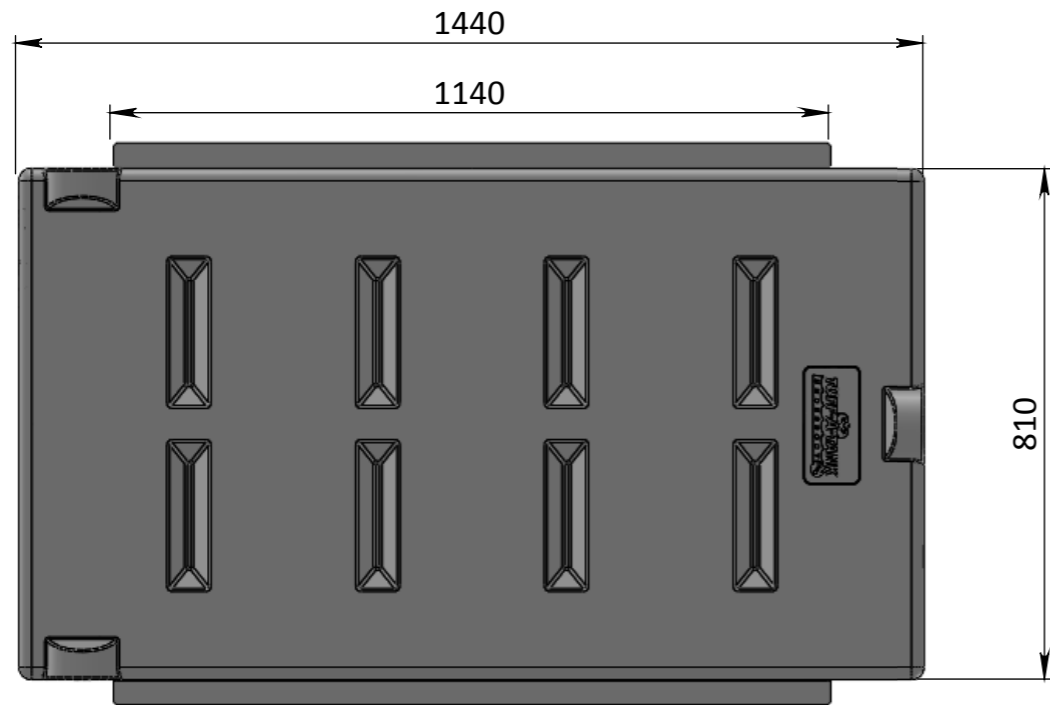
DIESEL TANKS ARE MADE FROM DIESEL GRADE POLYETHYLENE



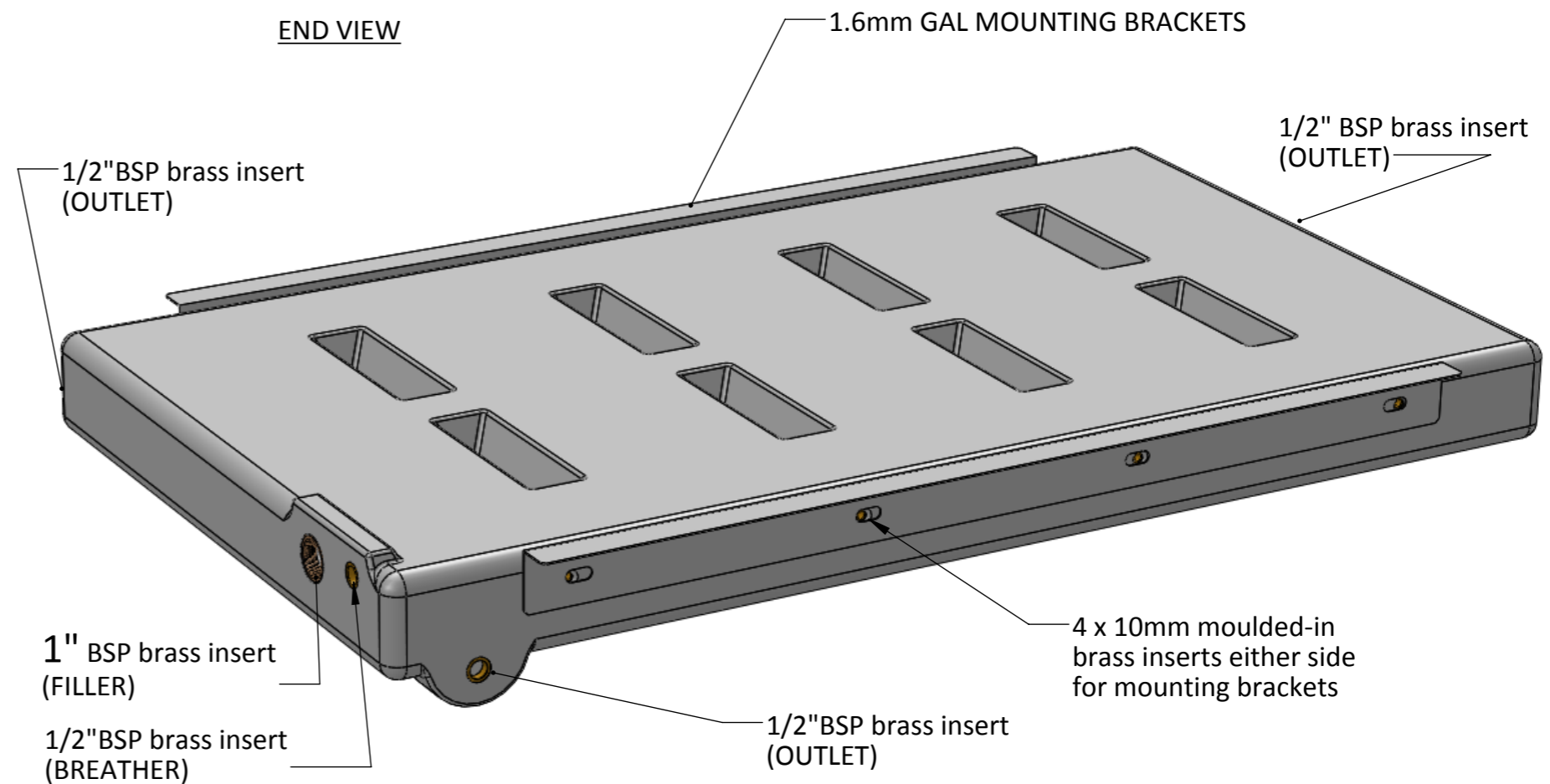
SIDE VIEW



END VIEW



UNDERNEATH VIEW



REV	DATE	BY	DESCRIPTION	APPROV.
A	03.12.14	DH	UPDATED DESIGN AS OF DECEMBER 2014	GOUGH
REVISION				



A.C.N. 010 028 547  
 Gough Industries Pty. Ltd.  
 833 Ingham Road  
 Bohle, Townsville  
 P.O. Box 7570, Garbutt BC, Qld. 4814.  
 Telephone 07 47747606  
 Facsimile 07 47747608

100L SLIMLINE WATER TANK

Signature	Date	SCALE	A3	Gough Plastics Drg. No.	A	REV
D.HOLLIER	03.12.14			BOX405.8100-01		
DRN. CHK	B.RITCHIE	03.12.14	S:\Products\Domestic\Underbodies\100L Slimline\			