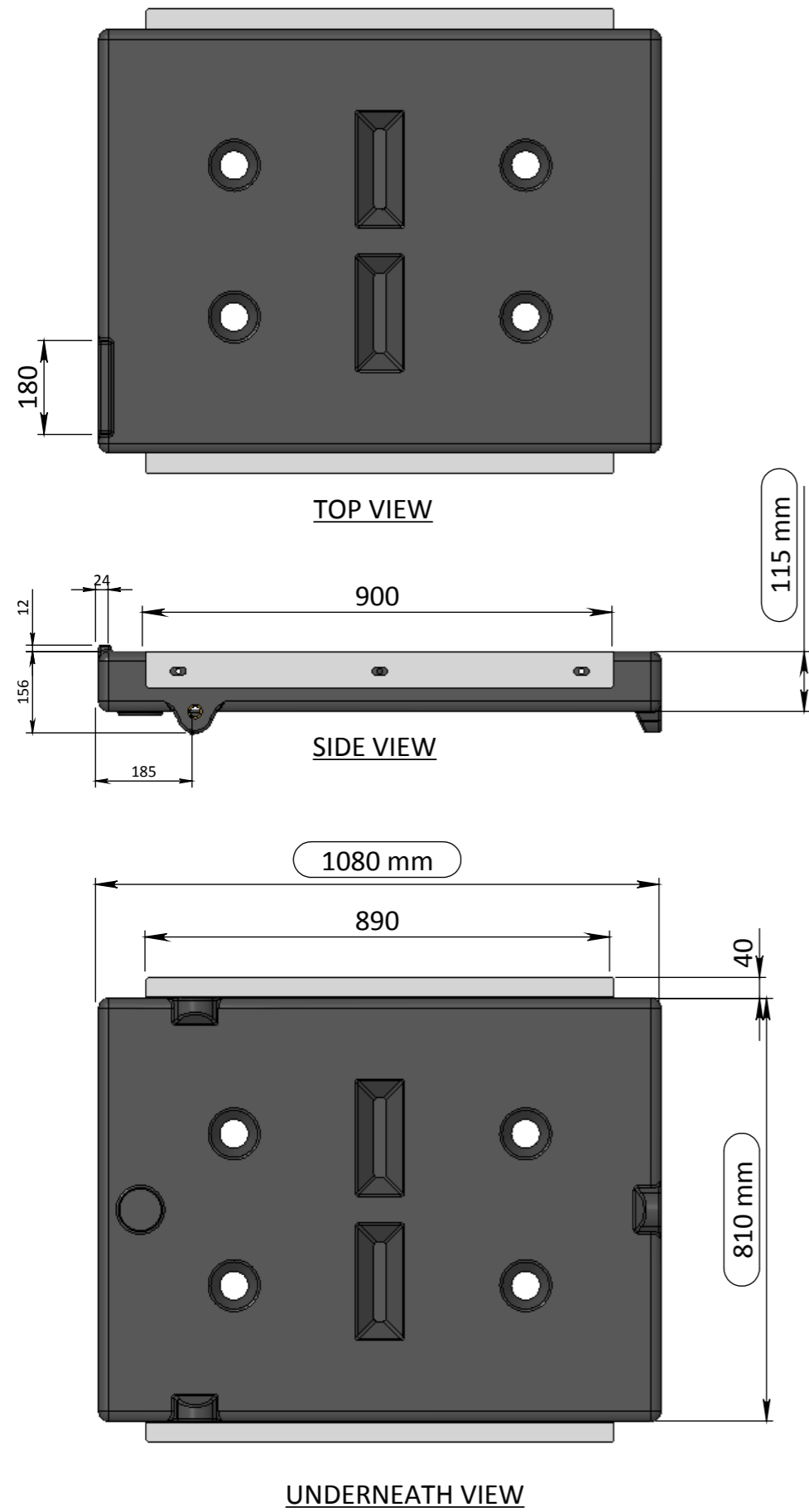
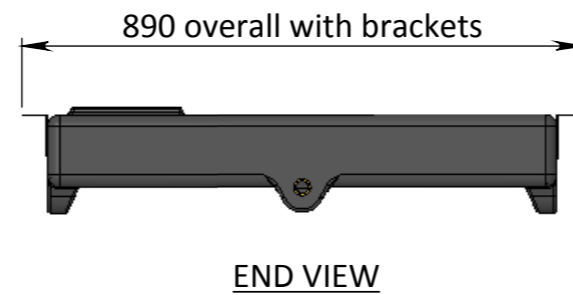


PLEASE NOTE: DIMENSIONS MAY VARY BY PLUS OR MINUS 3% DUE TO THE ROTATIONAL MOULDING PROCESS.



WATER TANKS ARE MADE FROM FOOD GRADE POLYETHYLENE

DIESEL TANKS ARE MADE FROM DIESEL GRADE POLYETHYLENE



1/2" BSP brass insert (OUTLET)

1" BSP brass insert (FILLER)

1/2" BSP brass insert (BREATHER)

1.6mm GAL MOUNTING BRACKETS

1/2" BSP brass insert (OUTLET)

3 x 10mm moulded-in brass inserts either side for mounting brackets

1/2" BSP brass insert (OUTLET)

REV	DATE	BY	DESCRIPTION	APPROV.
A	03.12.14	DH	UPDATED DESIGN AS OF DECEMBER 2014	GOUGH
REVISION				APPROV.



A.C.N. 010 028 547
 Gough Industries Pty. Ltd.
 833 Ingham Road
 Bohle, Townsville
 P.O. Box 7570, Garbutt BC, Qld. 4814.
 Telephone 07 47747606
 Facsimile 07 47747608

70L SLIMLINE WATER TANK

Signature	Date	SCALE	A3	Gough Plastics Drg. No.	A	REV
D.HOLLIER	03.12.14			BOX405.8000-01		
DRN. CHK	B.RITCHIE	03.12.14	S:\Products\Domestic\Underbodies\70L Slimline\Development\			