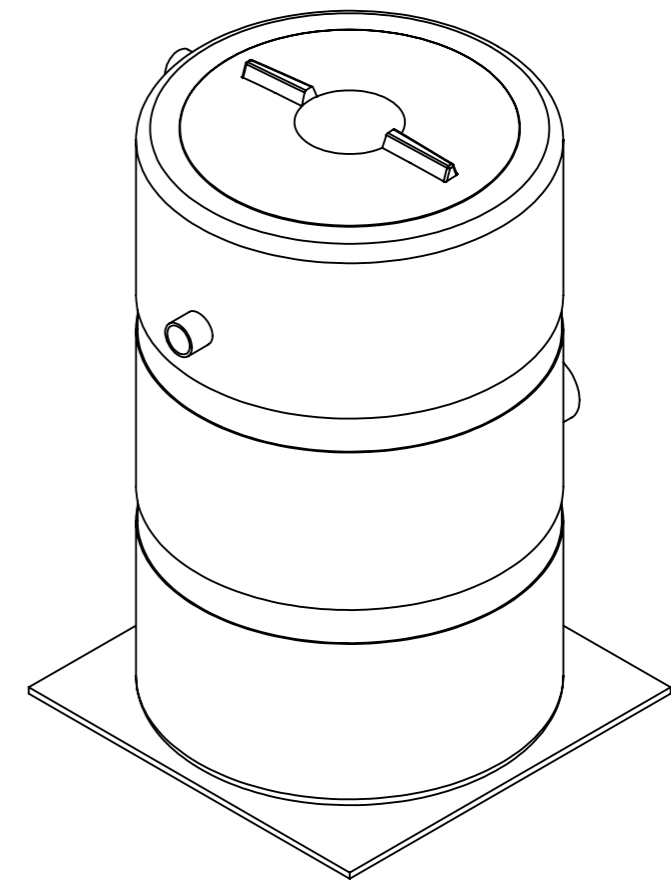
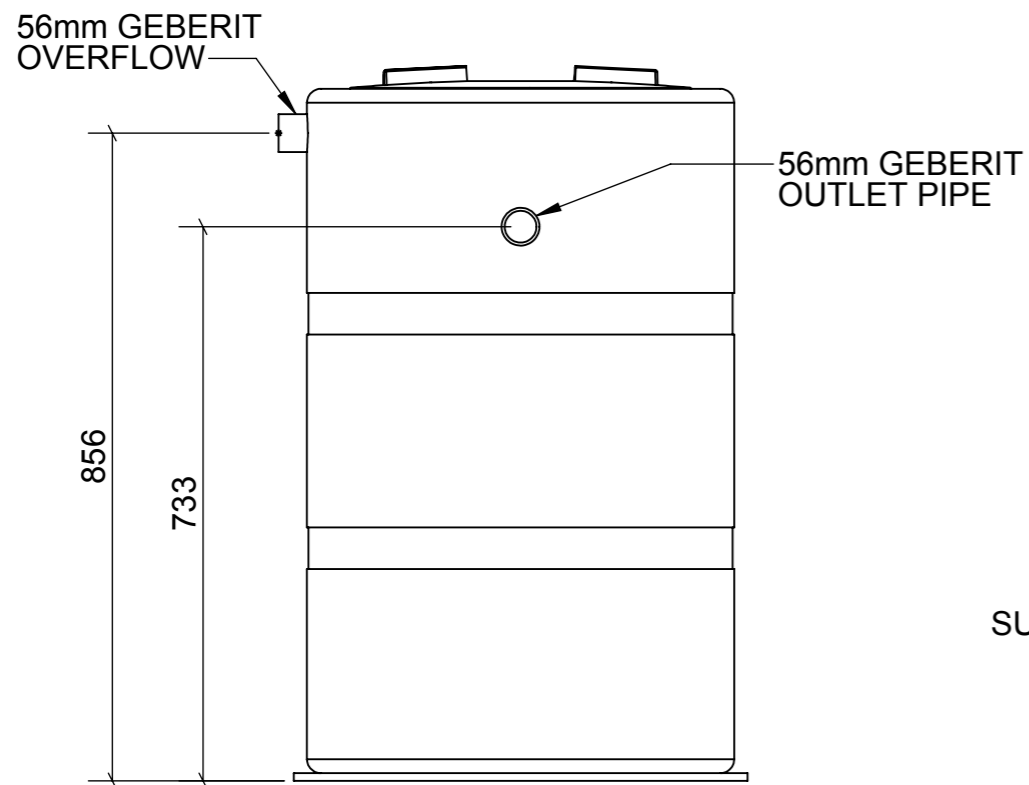


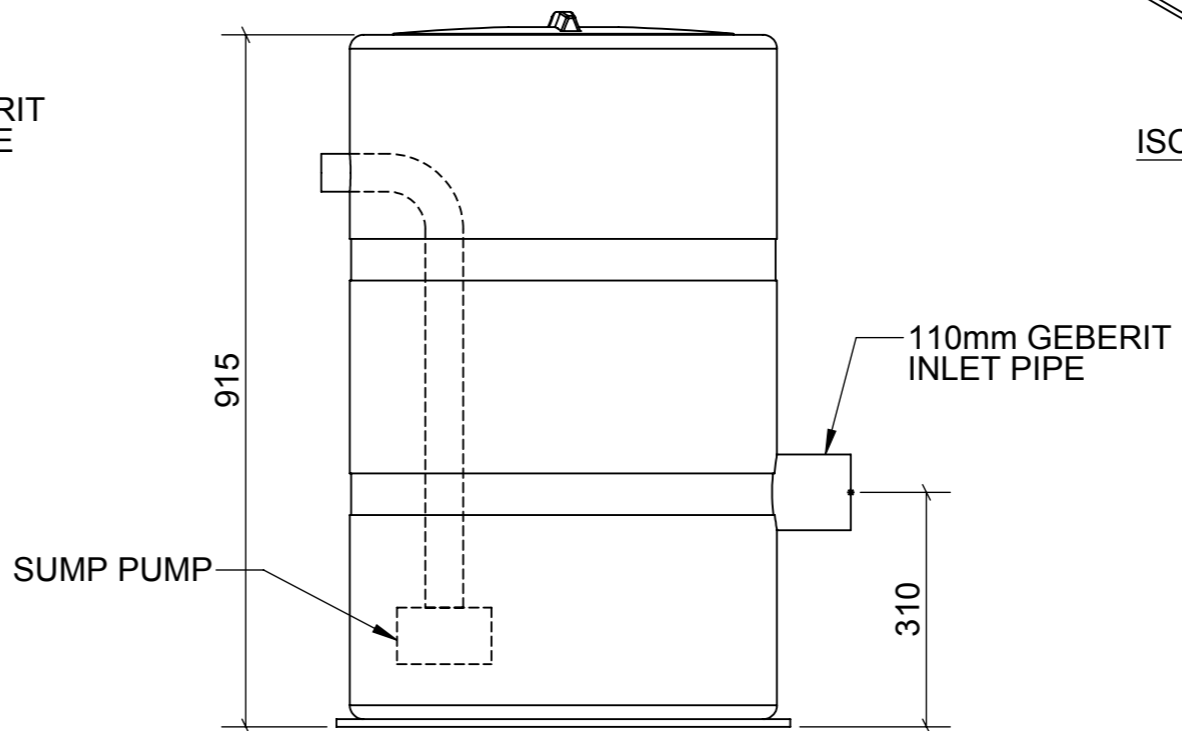
TOP VIEW



ISOMETRIC VIEW



FRONT VIEW



SIDE VIEW

No.	DATE	BY	REVISION DESCRIPTION	APPROV.
A		TL	DESCRIPTION	



Gough Industries Pty. Ltd.  
 833 Ingham Road  
 Bohle, Townsville  
 P.O. Box 7570, Garbutt BC, Qld. 4814.  
 Telephone 07 47747606  
 Facsimile 07 47747608  
 A.C.N. 010 028 547

DRAWN	Signature T.LYNCH	Date 05/11/12
DRN. CHK		
APPROVED		
		<b>A3</b>

200L GREY WATER UNIT		A	R E V
SCALE	<b>FENV900.0200</b>		
S:\Products\Environmental\Grey Water\Sales & Marketing\			