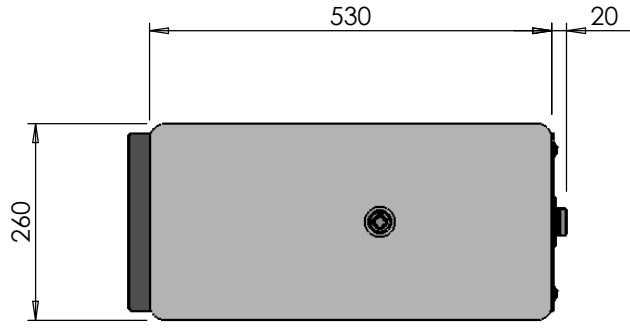
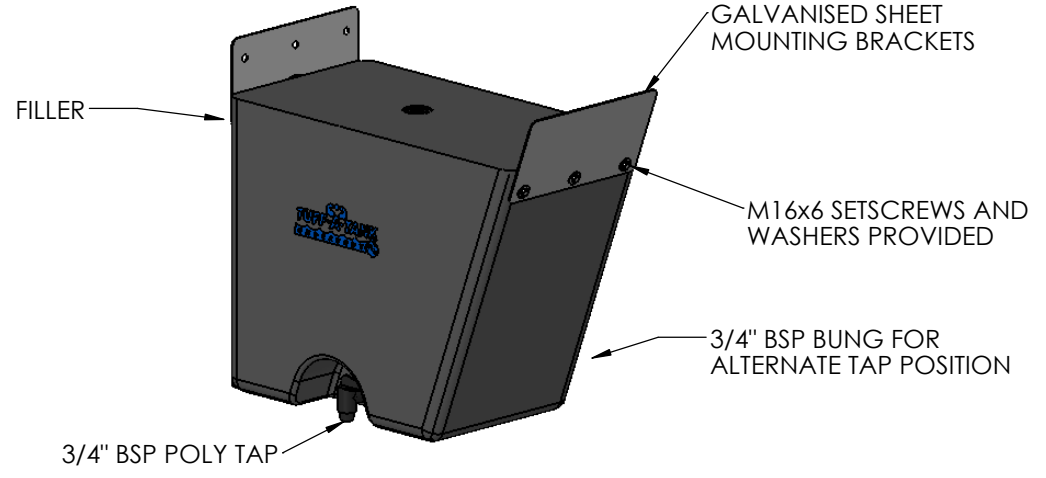


DO NOT SCALE

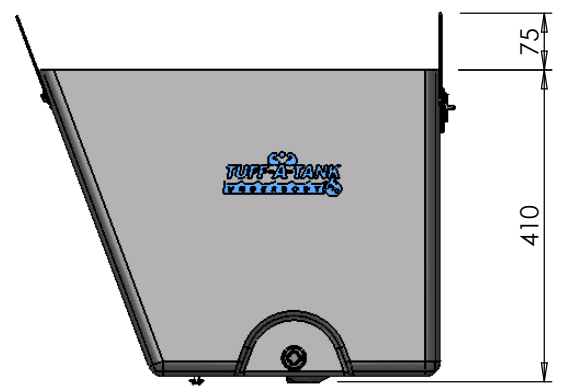
DIMENSIONS MAY VARY BY PLUS OR MINUS 2.5% DUE TO THE ROTATIONAL MOULDING PROCESS



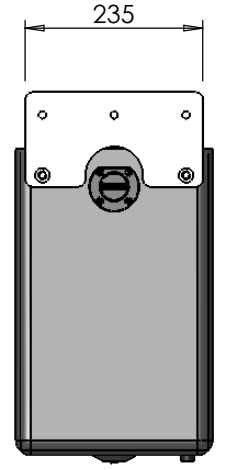
TOP VIEW



PICTORIAL VIEW



FRONT VIEW



SIDE VIEW

No.	DATE	BY	DESCRIPTION	GOUGH APPROV.



Gough Industries Pty. Ltd.
 833 Ingham Road
 Bohle, Townsville
 P.O. Box 7570, Garbutt BC, Qld. 4814.
 Telephone 07 47747606
 Facsimile 07 47747608
 A.C.N. 010 028 547

DRAWN	Signature	Date
DRN. CHK	S.NAGY	17.01.06
ENGINEER		
ENG. CHK		
Eng. APPROVAL		
CONTROLLED DOCUMENT		NO

40L UNDERBODY WATER TANK		
COMPONENT DETAILS		
SCALE 1:10	A4	Gough Plastics Dwg. No. BOX401.4000-01
CAD FILE: S:\Products\Domestic\Underbodies\40l Water Tank\Development\Drawings\Product\		

This drawing remains the property of Gough Industries Pty. Ltd. It is subject to Gough Industries Pty. Ltd.'s recall and must not be reproduced in part or whole or it's contents divulged to third parties without prior written approval from Gough Industries Pty Limited.

REV