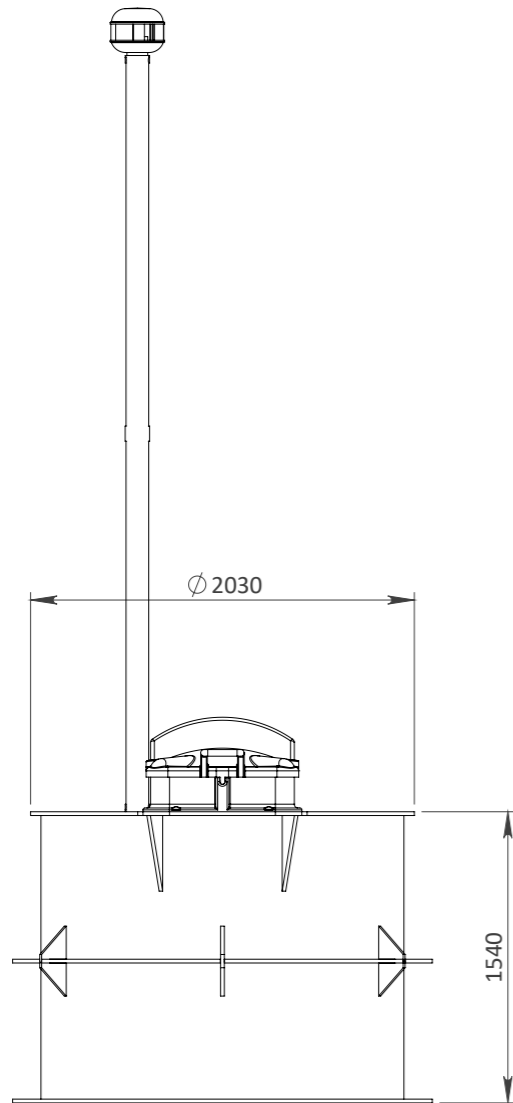
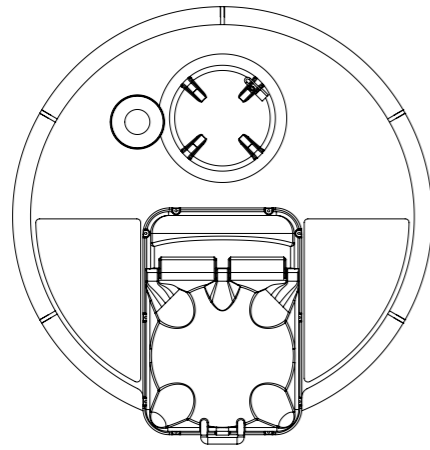


4200 L DUMPEZY FAB TANK

ASSEMBLY DRAWING



ROUGHED UP SURFACE FOR GRIP

MICROFLUSH FLAP WITH 150mm COUPLING

DUMP EZY UNIT

FRONT EDGE FLUSH WITH EDGE OF ROOF.

VENTILATION SHAFT (NOT INCLUDED)

HTS THREADED MANHOLE
HTS THREAD ADAPTOR
TRIM FLANGE TO 600mm DIAMETER AND WELD ALL ROUND TO LID

MUST PROVIDE LOCKING PIN (PAD LOCK NOT INCLUDED.)

FABRICATED HOLDING TANK
TANK CYLINDER IS 10mm HDPE
REST OF THE TANK IS 20mm HDPE
FULLY WELDED INSIDE AND OUT

BEAD OF SILICON ALL WAY ROUND

DRILL AND BOLT WITH STAINLESS STEEL BOLTS, F/WASHERS & NYLOCK NUTS ALL THE WAY ROUND THE DUMPEZY

0	10/11/2020	ASSEMBLY DRAWING	MC	DH	
REV	DATE	REVISION DESCRIPTION	DRAWN	CHKD.	ENG.



A.C.N. 010 028 547
Gough Industries Pty. Ltd.
833 Ingham Road
Bohle, Townsville
P.O. Box 7570, Garbutt BC, Qld. 4814.
Telephone 07 47747606
www.gough.com.au

CLIENT LOGO.

4200 L Fab Holding Tank Assembly

SCALE
NTS A3

GOUGH PLASTICS DRAWING No.

ENV-HOL-005

REVISION
0

SOLDWORKS: S:\Solidworks\Environmental\Dumpezy\Dump Ezy Holding Tank\3200L Holding Tank\Dump Ezy Fab Holding Tank Assembly

PDF FILE PATH: S:\Products

Dimensions are in millimetres (mm) unless noted.