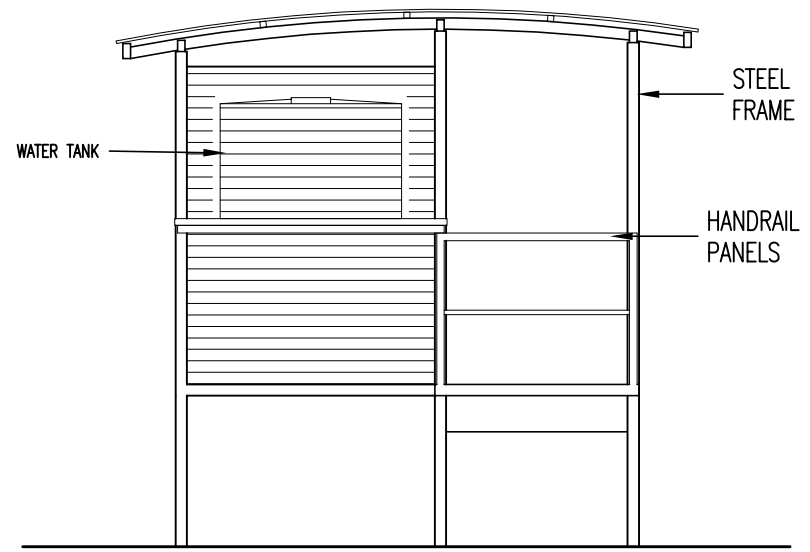
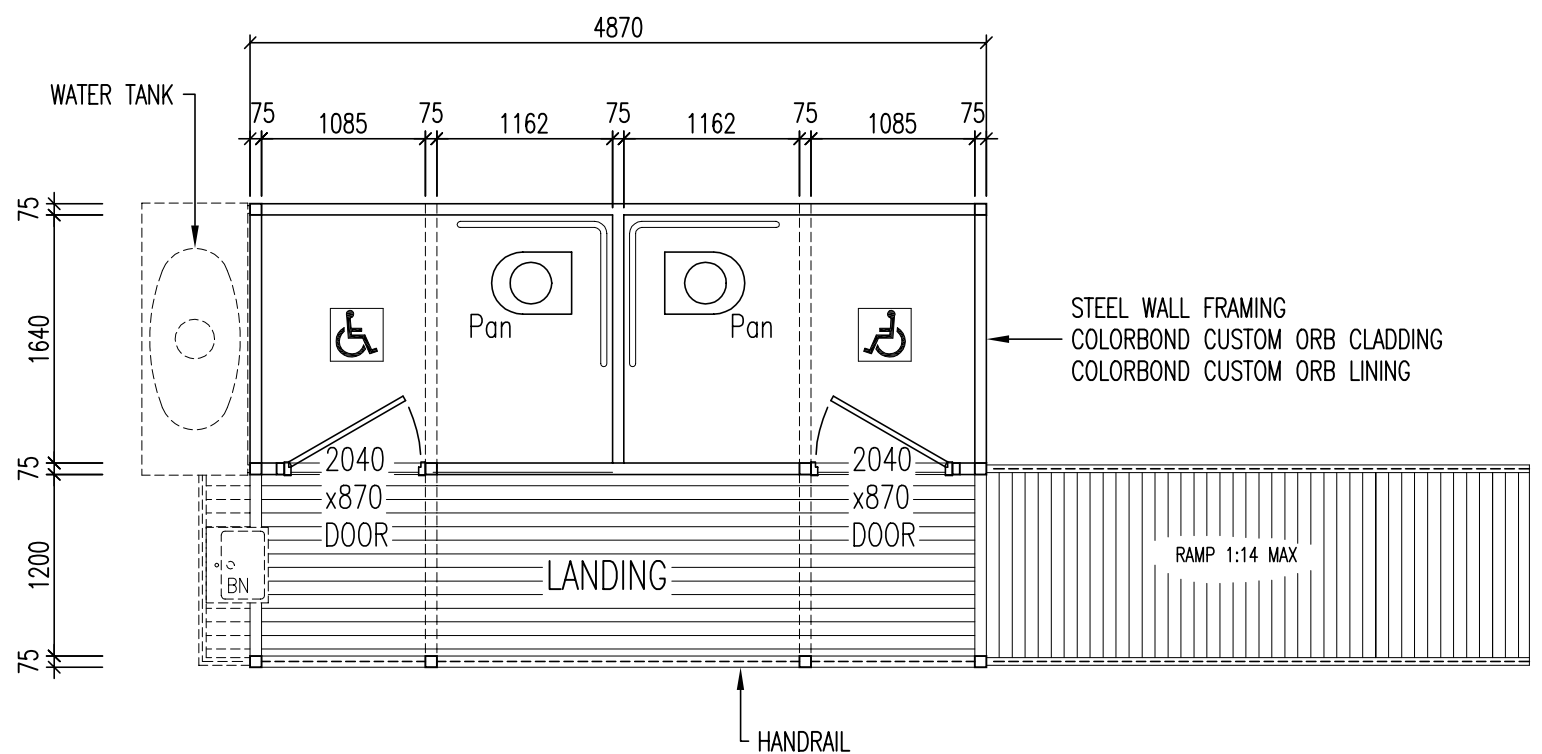


ELEVATION
(1:50)

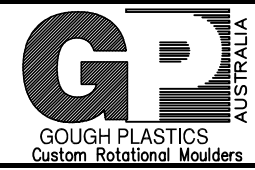


END VIEW
(1:50)



PLAN
(1:50)

No.	DATE	BY	DESCRIPTION	GOUGH
REVISION				APPROV.



Gough Industries Pty. Ltd.
833 Ingham Road
Bohle, Townsville
P.O. Box 1258, Aitkenvale, Qld. 4814.
Telephone 07 47747606
Facsimile 07 47747608
A.C.N. 010 028 547

This drawing remains the property of Gough Industries Pty. Ltd. It is subject to Gough Industries Pty. Ltd.'s recall and must not be reproduced in part or whole or it's contents divulged to third parties without prior written approval from Gough Industries Pty Limited.

DRAWN	Signature	Date
DRN. CHK	AGE	21-09-01
ENGINEER		
ENG. CHK		
SUBMITTED FOR APPR.		
Eng. APPROVAL		

PREFABRICATED AMENITIES BUILDING 'EASTBROOK' EB-2D			
SCALE: AS NOTED	A3	Gough Plastics Drg. No. EB-2D-101	0
EDIT DATE:	CAD FILE :		

REV