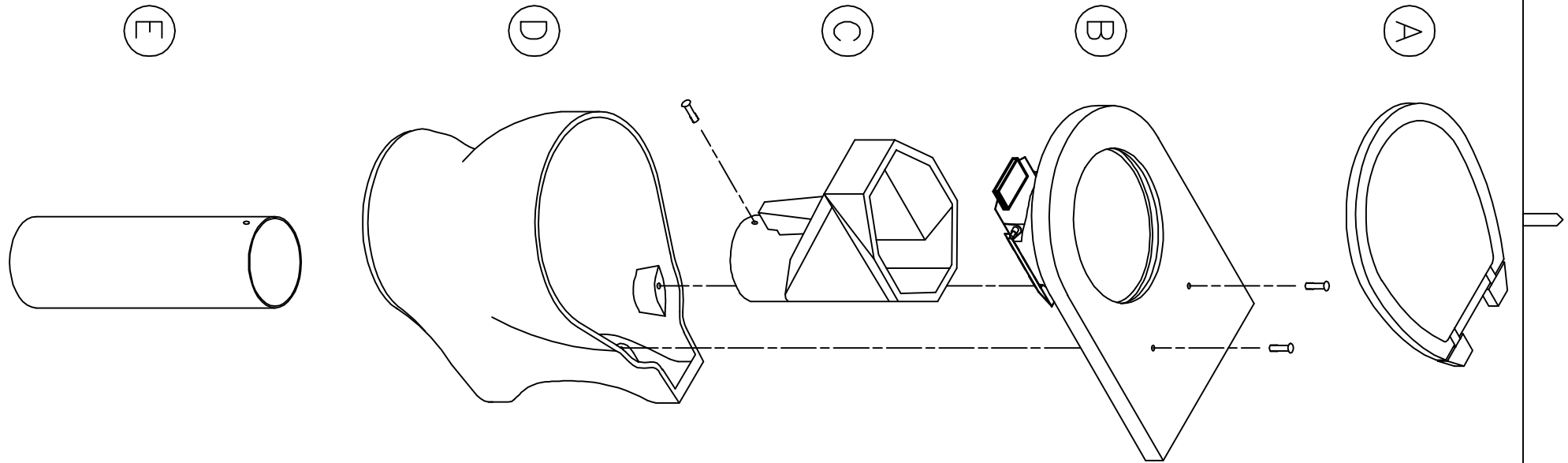


DO NOT SCALE



					 <p><b>GOUGH PLASTICS</b> Custom Rotational Moulders</p>	<p>Gough Industries Pty. Ltd. 833 Ingham Road Bohle, Townsville P.O. Box 1258, Aitkenvale, Qld. 4814. Telephone 07 47747606 Facsimile 07 47747608 A.C.N. 010 028 547</p>	Signature	Date	<p>HYBRID TOILET SYSTEM – MICROFLUSH PEDESTAL INLINE ASSEMBLY</p>					
No.	DATE	BY	DESCRIPTION	GOUGH	<p>This drawing remains the property of Gough Industries Pty. Ltd. It is subject to Gough Industries Pty. Ltd.'s recall and must not be reproduced in part or whole or its contents divulged to third parties without prior written approval from Gough Industries Pty Limited.</p>	<p>Eng. APPROVAL</p>	<p>SUBMITTED FOR APPR.</p>	<p>SCALE NTS A4</p>	Gough Plastics Drg. No.		<p>VER</p>			
			REVISION	APPROV.									GTL-0000-17	
													EDIT DATE=	CAD FILE : H:/HTS/MISC/