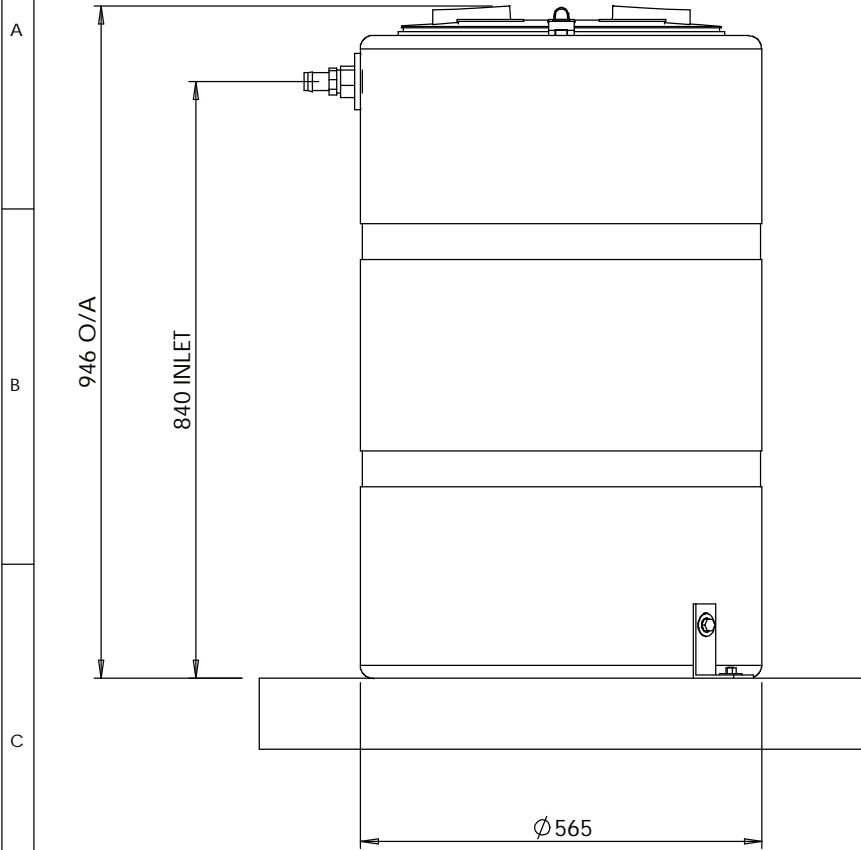
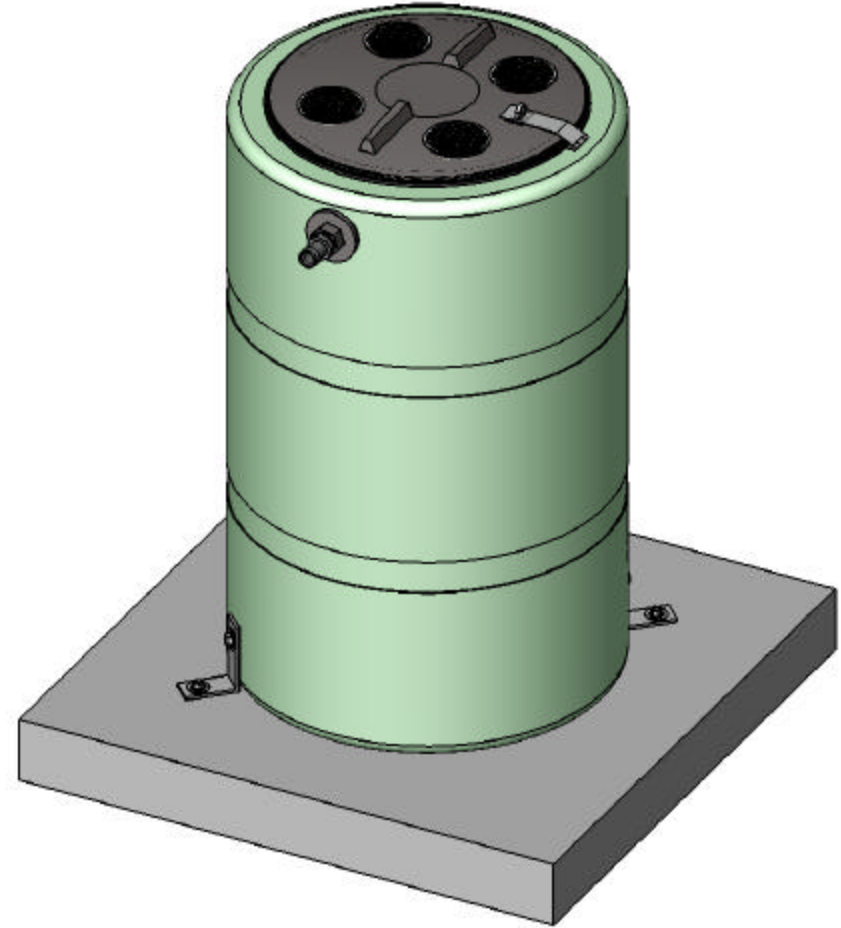


DO NOT SCALE

DIMENSIONS MAY VARY BY PLUS OR MINUS 2.5%
DUE TO THE ROTATIONAL MOULDING PROCESS



FRONT VIEW



TRIMETRIC VIEW

No.	DATE	BY	DESCRIPTION	GOUGH
			REVISION	APPROV.



Gough Industries Pty. Ltd.
833 Ingham Road
Bohle, Townsville
P.O. Box 7570, Garbutt BC, Qld. 4814
Telephone 07 47747606
Facsimile 07 47747608
A.C.N. 010 028 547

This drawing remains the property of Gough Industries Pty. Ltd.
It is subject to Gough Industries Pty. Ltd.'s recall and must not
be reproduced in part or whole or it's contents divulged to third parties
without prior written approval from Gough Industries Pty Limited.

	Signature	Date
DRAWN	S.NAGY	28.02.04
DRN. CHK		
ENGINEER		
ENG. CHK		
Eng. APPROVAL		
CONTROLLED DOCUMENT		NO

200 LTR HOLDING TANK

COMPONENT DETAILS

SCALE	1:10	A4	Gough Plastics Dwg. No. HTSGP0060-01	REV
CAD FILE:		H:\HYBRID TOILET SYSTEM\H.T.S Components\		