

MATERIAL: 15mm HDPE

CLIENT APPROVAL

APPROVED FOR CONSTRUCTION

MAKE CHANGES AS NOTED

Name:

Signed:

Date:

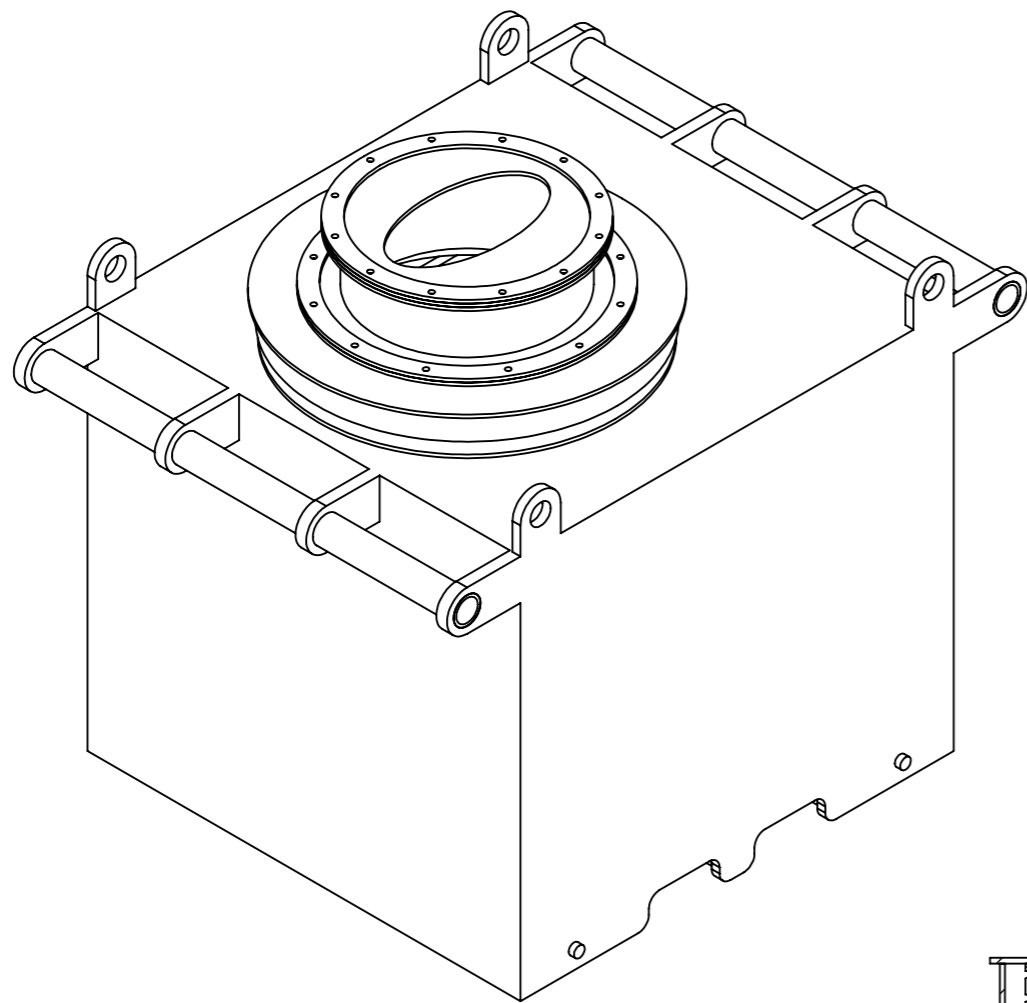
A	24.04.12	TL	ORIGINAL ISSUE	
B	27.04.12	TL	LIFTING LUGS ADDED	
No.	DATE	BY	REVISION DESCRIPTION	APPROV.



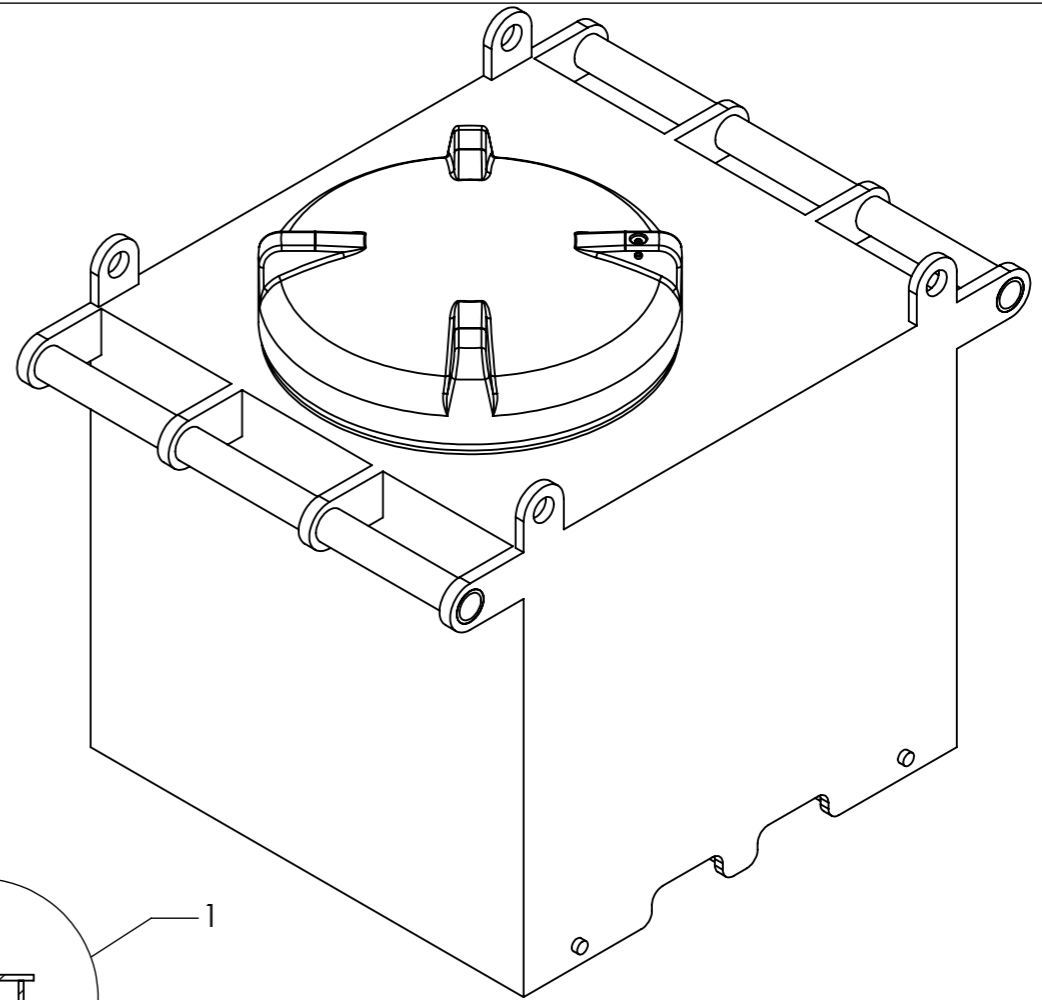
Gough Industries Pty. Ltd.
833 Ingham Road
Bohle, Townsville
P.O. Box 7570, Garbutt BC, Qld. 4814.
Telephone 07 47747606
Facsimile 07 47747608
A.C.N. 010 028 547

DRAWN	Signature T.LYNCH	Date 24.04.12
DRN. CHK		
APPROVED		
		A3

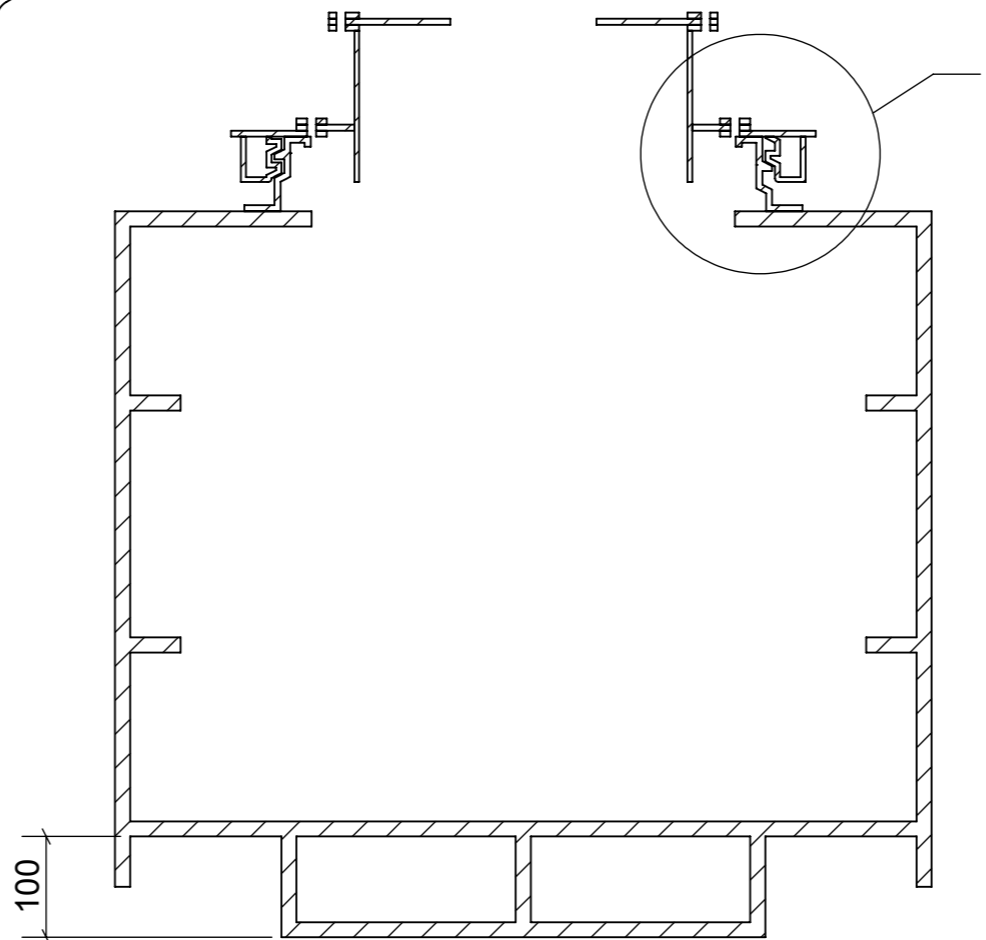
RIVERFLY TOILET PODS		ENV-RTP-001.01	B	REV
SCALE				
S:\Products\Engineering\Plastic Fabrication\Fly Fishing Fly Out Pods\Fly out Pods\				



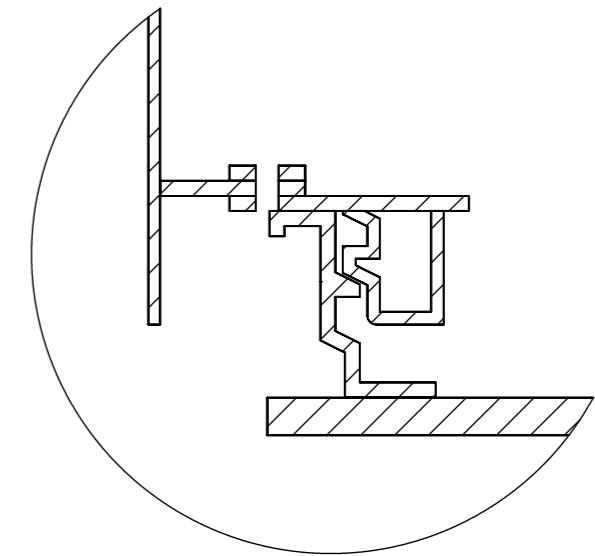
ISOMETRIC - IN SITU



ISOMETRIC - IN TRANSPORT



TYPICAL SECTION



DETAIL 1
SCALE 1 : 3

CLIENT APPROVAL

APPROVED FOR CONSTRUCTION

MAKE CHANGES AS NOTED

Name:

Signed:

Date:

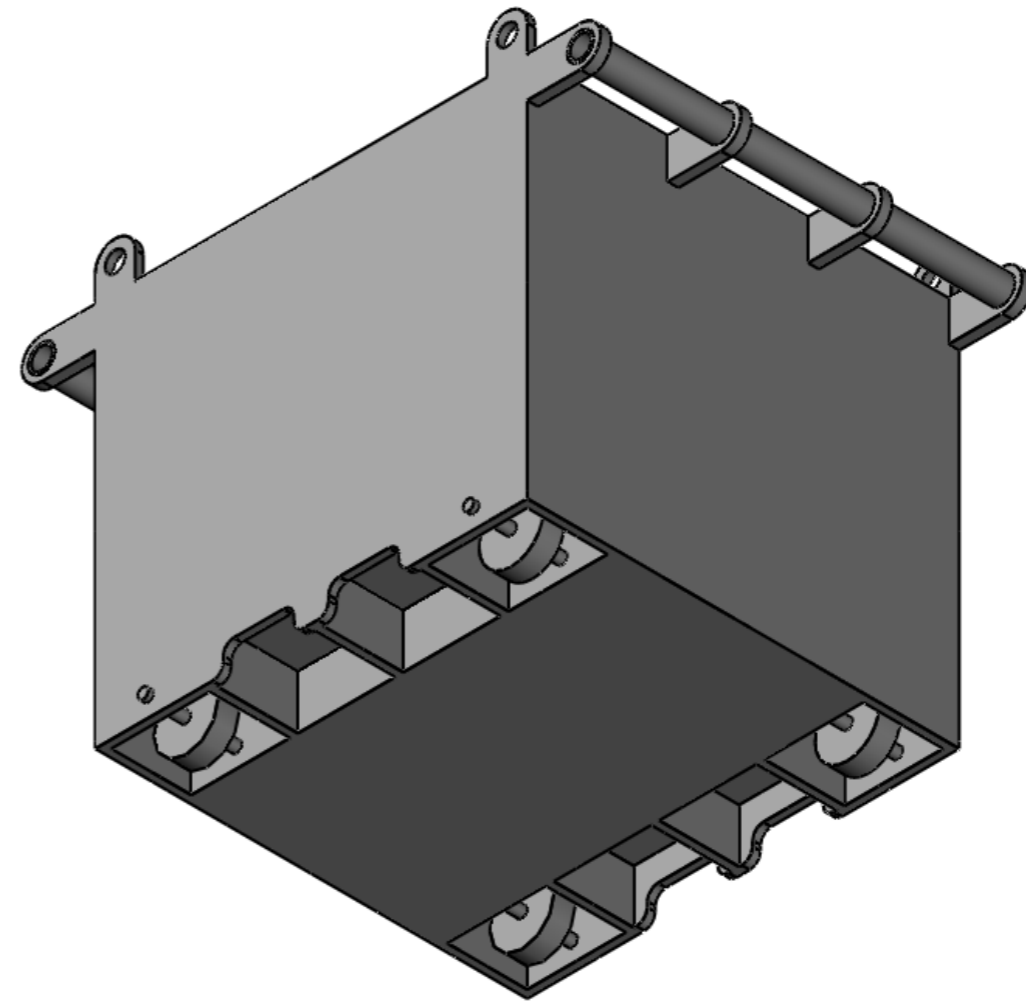
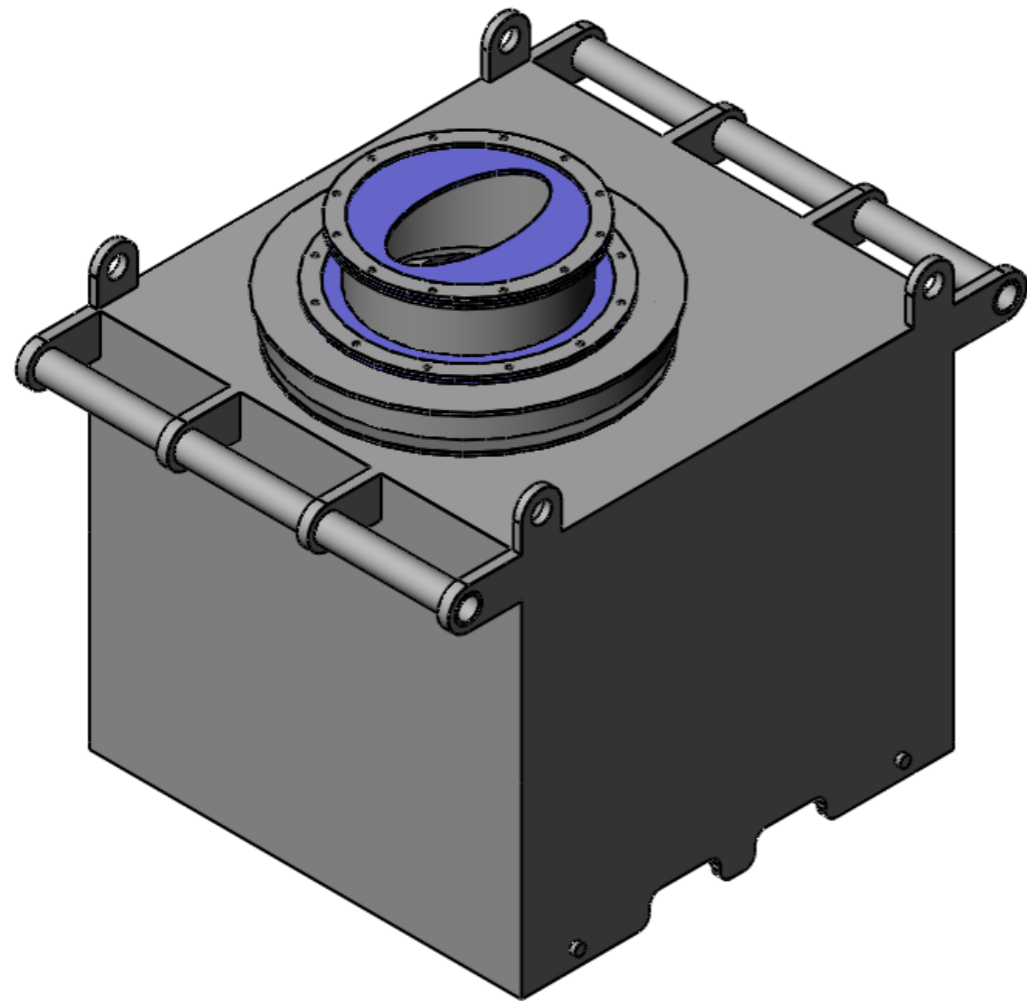
A	24.04.12	TL	ORIGINAL ISSUE	
B	27.04.12	TL	LIFTING LUGS ADDED	
No.	DATE	BY	REVISION DESCRIPTION	APPROV.



Gough Industries Pty. Ltd.
 833 Ingham Road
 Bohle, Townsville
 P.O. Box 7570, Garbutt BC, Qld. 4814.
 Telephone 07 47747606
 Facsimile 07 47747608
 A.C.N. 010 028 547

DRAWN	Signature T.LYNCH	Date 24.04.12
DRN. CHK		
APPROVED		
A3		

RIVERFLY TOILET PODS		ENV-RTP-001.02	B	REV
SCALE				
S:\Products\Engineering\Plastic Fabrication\Fly Fishing Fly Out Pods\Fly out Pods\				



CLIENT APPROVAL

- APPROVED FOR CONSTRUCTION
- MAKE CHANGES AS NOTED

Name:

Signed:

Date:

A	24.04.12	TL	ORIGINAL ISSUE	
B	27.04.12	TL	LIFTING LUGS ADDED	
No.	DATE	BY	REVISION DESCRIPTION	APPROV.



Gough Industries Pty. Ltd.
 833 Ingham Road
 Bohle, Townsville
 P.O. Box 7570, Garbutt BC, Qld. 4814.
 Telephone 07 47747606
 Facsimile 07 47747608
 A.C.N. 010 028 547

DRAWN	Signature T.LYNCH	Date 24.04.12	RIVERFLY TOILET PODS	
DRN. CHK			SCALE	ENV-RTP-001.03
APPROVED			A3	
			S:\Products\Engineering\Plastic Fabrication\Fly Fishing Fly Out Pods\Fly out Pods\	

B

REV