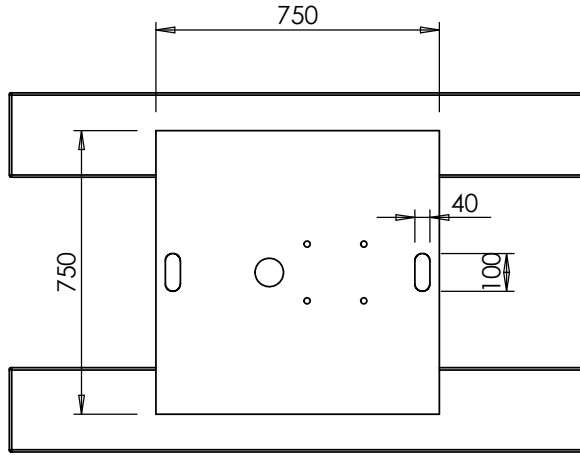
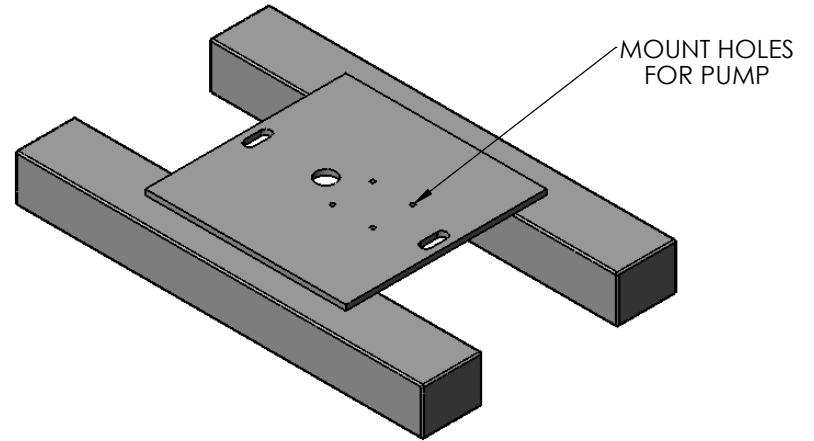


DO NOT SCALE

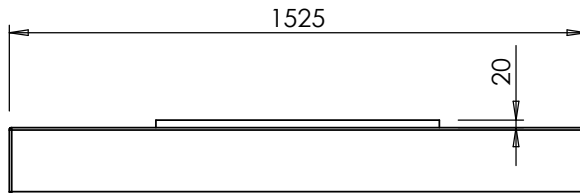
DIMENSIONS MAY VARY BY PLUS OR MINUS 2.5% DUE TO THE ROTATIONAL MOULDING PROCESS



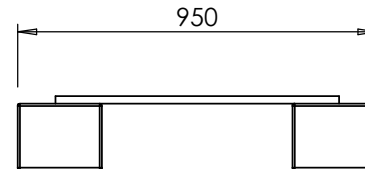
TOP VIEW



ISOMETRIC VIEW



SIDE VIEW



FRONT VIEW

No.	DATE	BY	DESCRIPTION	GOUGH APPROV.
			REVISION	



Gough Industries Pty. Ltd.  
833 Ingham Road  
Bohle, Townsville  
P.O. Box 7570, Garbutt BC, Qld. 4814.  
Telephone 07 47747606  
Facsimile 07 47747608  
A.C.N. 010 028 547

This drawing remains the property of Gough Industries Pty. Ltd. It is subject to Gough Industries Pty. Ltd.'s recall and must not be reproduced in part or whole or it's contents divulged to third parties without prior written approval from Gough Industries Pty Limited.

Signature	Date
DRAWN S.NAGY	14.04.05
DRN. CHK	
ENGINEER	
ENG. CHK	
Eng. APPROVAL	
CONTROLLED DOCUMENT	NO

FIRE FIGHTER FLOAT		Gough Plastics Drg. No.	
GENERAL ARRANGEMENT DETAILS		FAR800.0000-01	
SCALE 1:20	A4		REV
CAD FILE:		S:\Products\Farming\Fire Fighter Float\Drawings\Product\	