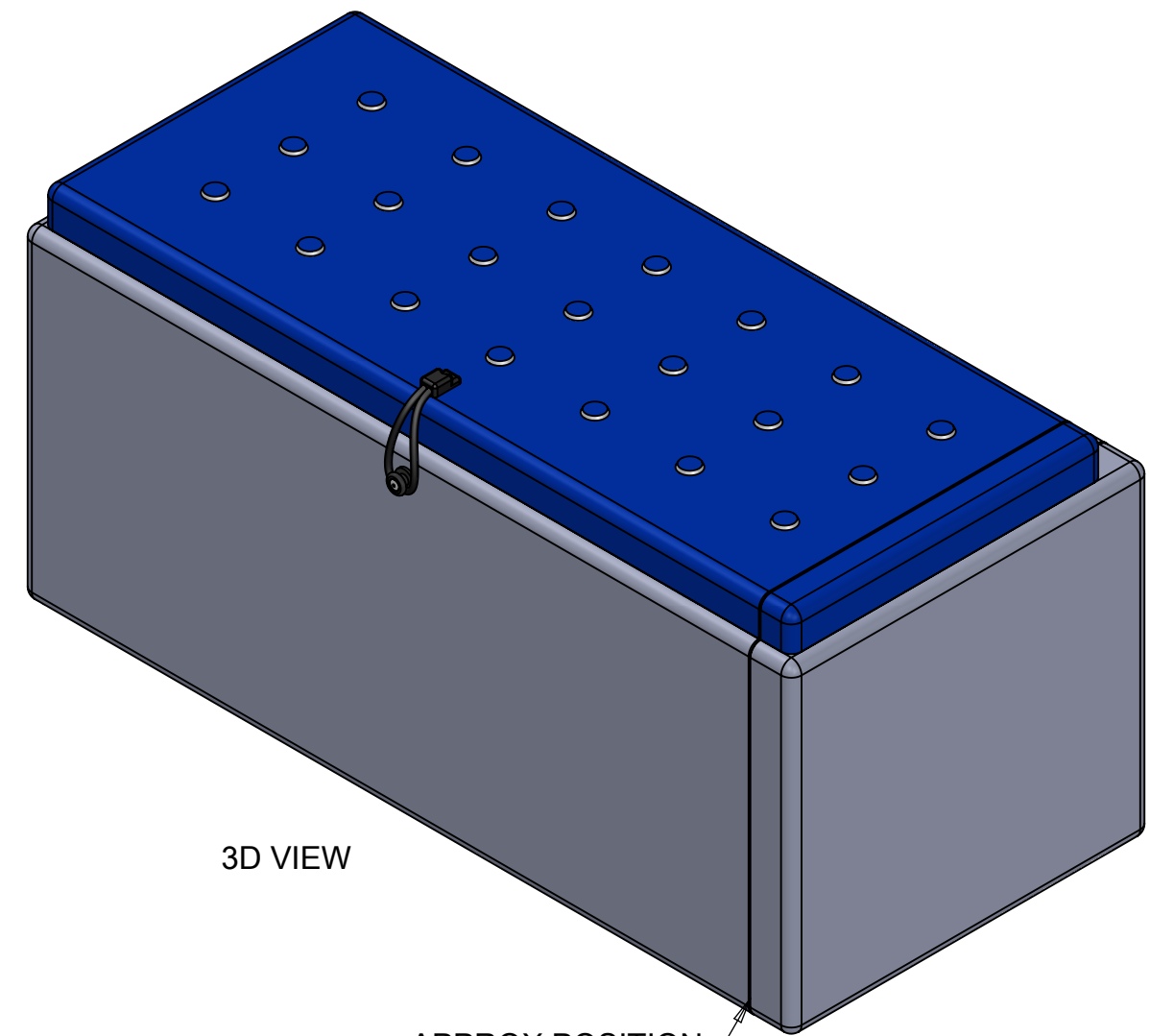
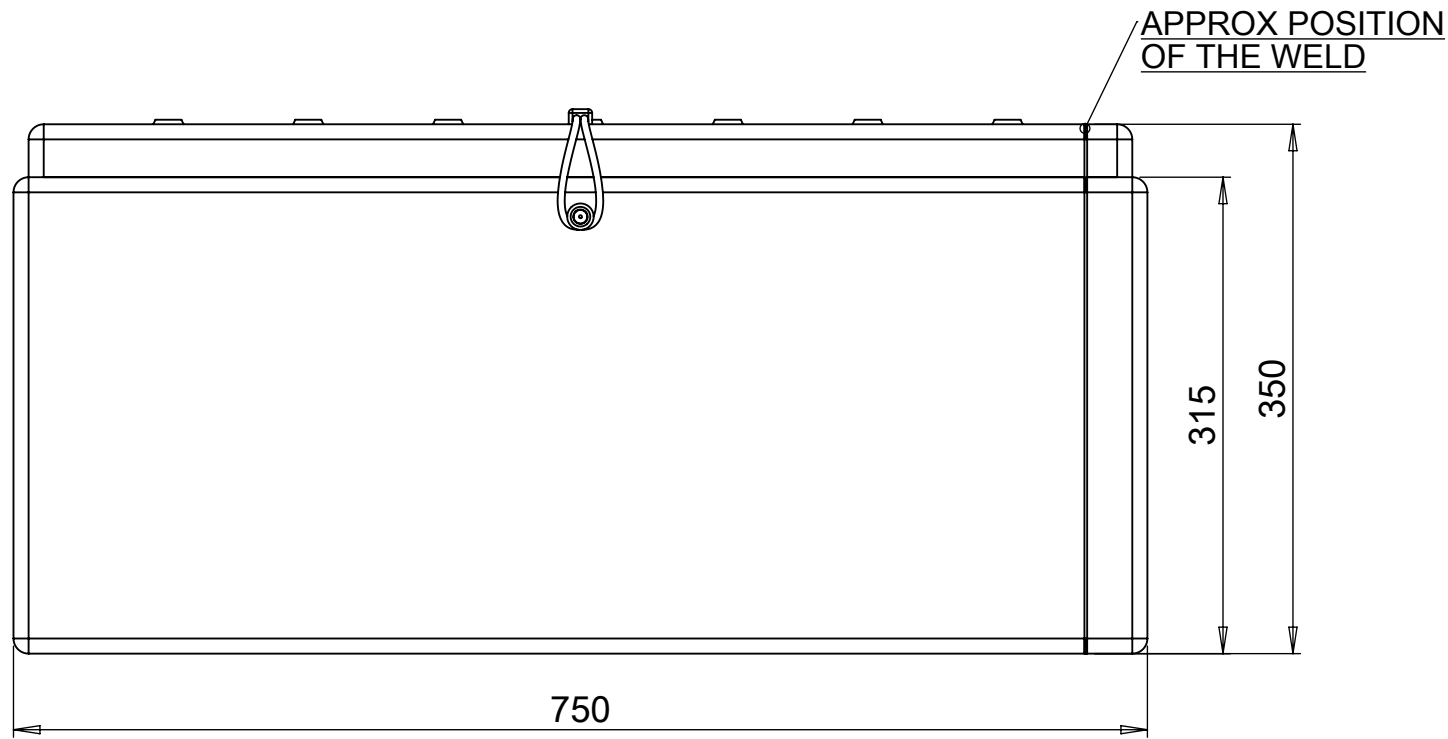


TOP VIEW

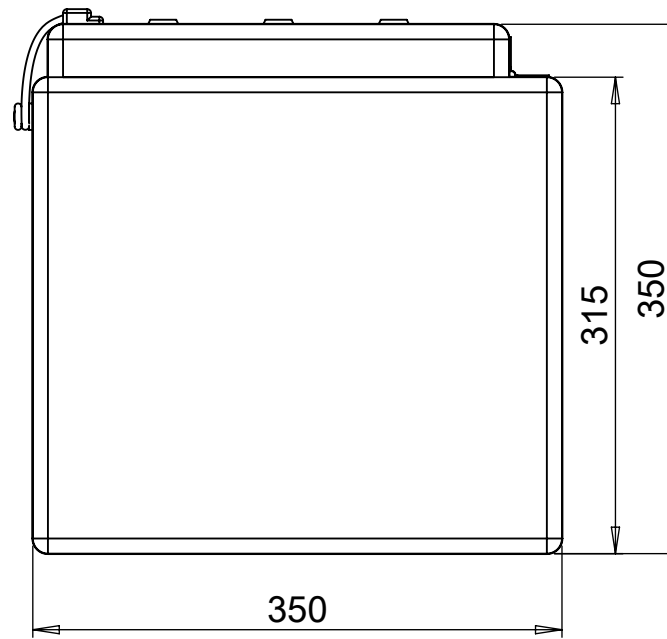


3D VIEW

APPROX POSITION OF THE WELD



FRONT VIEW



SIDE VIEW

CLIENT APPROVAL

APPROVED FOR CONSTRUCTION

MAKE CHANGES AS NOTED

Name:

Signed:

Date:

SIGNATURES:	DATE:	COMMENTS:
SIMON		
ROBERT		
RACHEL / DAVE		
ANDREW		
AARON		



A.C.N. 010 028 547
 Gough Industries Pty. Ltd.
 833 Ingham Road
 Bohle, Townsville
 P.O. Box 7570, Garbutt BC, Qld. 4814.
 Telephone 07 47747606
 Facsimile 07 47747608

CABIN BOX 750mm

DRAWN	Signature M.DAL MINA	Date 21.12.16	SCALE 1:5	A3	Gough Plastics Drg. No. FBOX804.0178	A	REV
SIGNATURE:		\\FS02\Tsv Data\Products\Domestic\Boxes\Cabin Box\Development\Solid Works Model\					